

IF IN DOUBT ASK
DO NOT SCALE

A

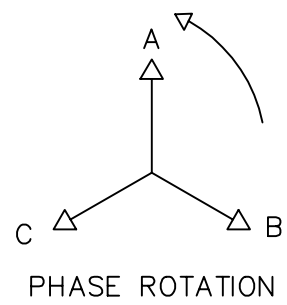
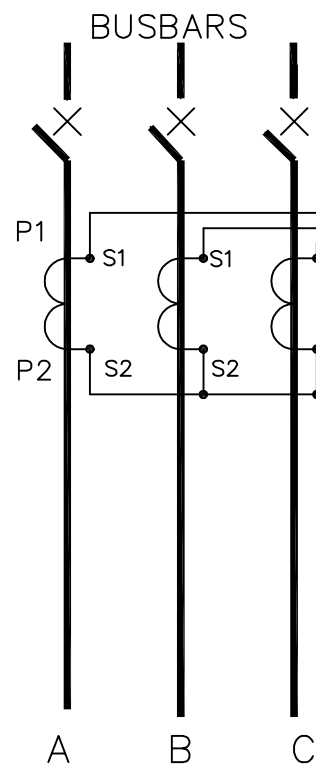
B

C

D

E

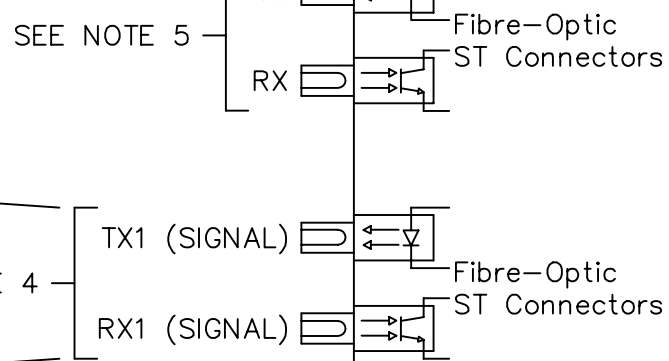
F



ELEC RS485
CONNECTIONS

A
B
Y
Z
SCREEN

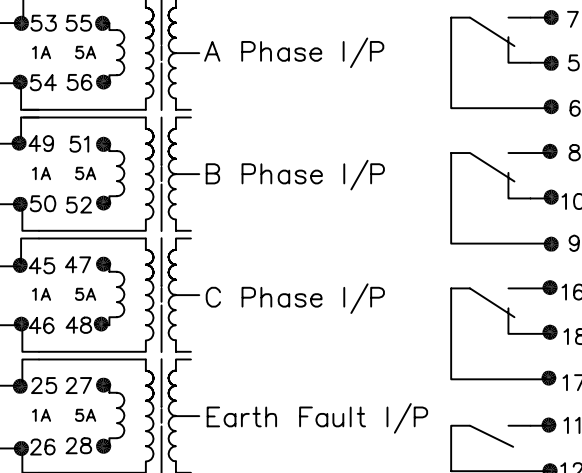
SEE NOTE 4



D.C Auxilliary
Input Volts

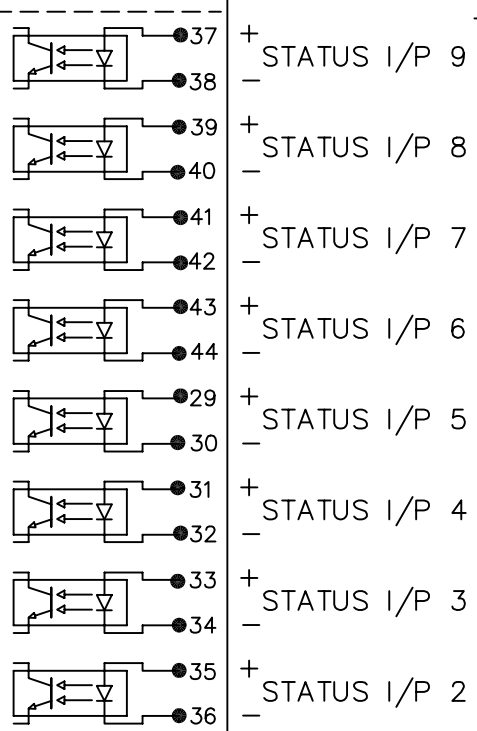
STATUS I/P 1

SOLKOR-N MODULAR SIZE 8 CASE



Earth Case Earth

STATUS PCB

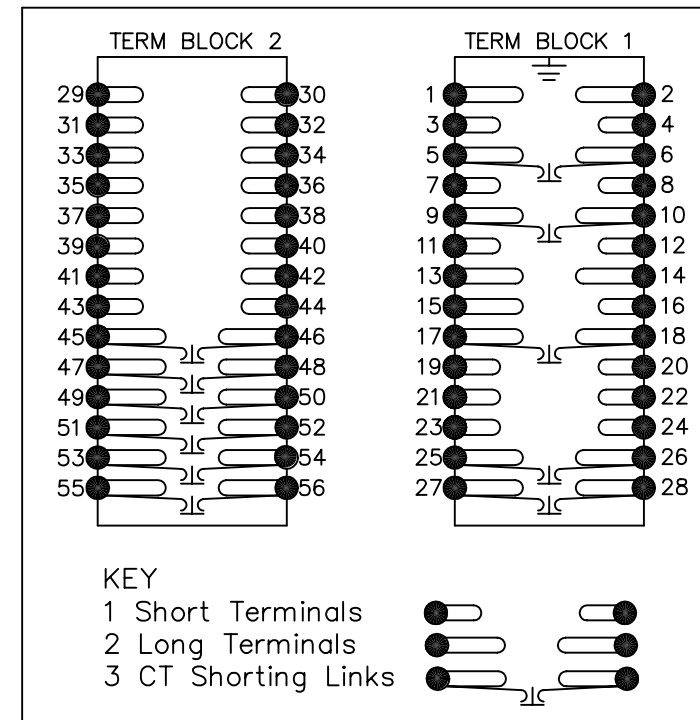


CONNECTIONS WHEN EXPANSION BOARD FITTED
NOT APPLICABLE TO 70/P + 1 I/P RELAYS

RELAY 1
RELAY 2
RELAY 3
RELAY 4
RELAY 5
RELAY 6
RELAY 7

+ STATUS I/P 9
- STATUS I/P 8
+ STATUS I/P 7
- STATUS I/P 6
+ STATUS I/P 5
- STATUS I/P 4
+ STATUS I/P 3
- STATUS I/P 2

TERMINAL BLOCKS VIEWED FROM REAR



- NOTES
1. CT CIRCUITS ARE SHOWN CONNECTED TO RELAY 1 AMP TAP. USE ALTERNATIVE TAP FOR 5 AMP RATED CTS.
 2. CT & EARTH CONNECTIONS ARE TYPICAL ONLY.
 3. FOR TERMINAL DIAGRAMS SEE TABLE BELOW.
 4. TX1 & RX1 SIGNALS ARE USED FOR PROTECTION SIGNALLING.
 5. TX & RX ARE USED FOR DATA COMMUNICATIONS.

TERMINAL/WIRING DIAGRAMS
2646W50001 - LED 4K
2646W50002 - LASER 7.7K
2646W50003 - ELEC RS485
2646W50004 - LED 49K

NOT SUBJECT TO UPDATE
ONCE COPIED / PRINTED
OR DOWNLOADED

2 RDW	02/02/04	MN646/2616	SPK
1	1/2/02	CHANGE	
ISSUE	DATE	NOTED	△

MATERIAL:

Dimensions in millimetres : Surface texture in micrometres.
Machine where marked ✓
For explanation of dimensions, tolerances, notes etc. see B.S.308.
Limit on untoleranced unmachined dimensions ± _____
Limits on untoleranced machined dimensions to B.S.4500;
i.e. up to 6±0.1; over 30 to 120±0.3; over 315±0.8;
over 6 to 30±0.2; over 120 to 315±0.5;
General unmachined angular tolerance ± _____

Finish:
Treatment:

Title:
TYPICAL SCHEMATIC DIAGRAM FOR 3 PHASE & E/F
SOLKOR-N NUMERIC CURRENT DIFFERENTIAL PROTECTION

VATECH REYROLLE
AUTOMATION, CONTROL & PROTECTION

Original Scale:
NTS

First used on:
Similar Articles:
Supersedes:
Drg. No.
2646W10004

DRAWN	M LEASK	CHECKED	APPROVED	R.D.WATSON	DATE	23/07/02	IE	OPS	PCP	Purch.Spec.	TQ	EAC	CE	STD	A3
-------	---------	---------	----------	------------	------	----------	----	-----	-----	-------------	----	-----	----	-----	----